




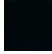

## EDITION PRO Tissue holder without cover - Chrome

---

83 500 626



- width 150mm
- height 95 mm
- rosette Ø 41 mm
- 38mm projection

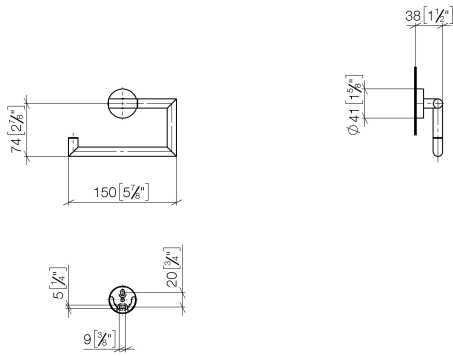
	Chrome	83 500 626-00
	Matte Black	83 500 626-33
	Brushed Chrome	83 500 626-93



# EDITION PRO Tissue holder without cover - Chrome

83 500 626

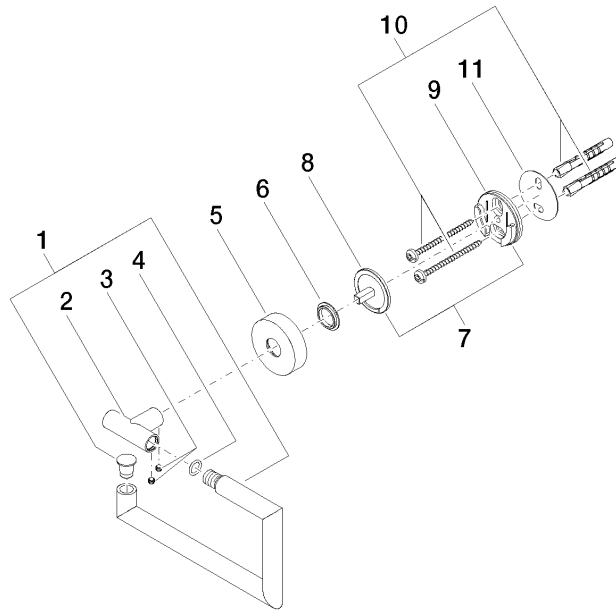
mm [inches]



**EDITION PRO Tissue holder without cover - Chrome**

83 500 626

Parts for other finishes can be found here: [Matte Black](#)



**Spare parts list**

No.	Item Number	Name	Quantity used	Delivery time
1	90 28 22 626 00-00	holder	1	10
2	05 17 97 561 01-00	holder	1	10
3	90 31 11 038 00 90	pin	1	2
4	90 14 10 060 00 90	seal	1	2
5	08 27 97 500-00	rosette	1	10
6	08 30 11 516 90	ring	1	2
7	05 17 97 501 01 90	fixing set	1	2
8	08 17 97 559 90	holder	1	2
9	08 17 97 501 07	holder	1	2
10	05 30 31 025 00 90	fixing set	1	2
11	05 30 11 519 00 90	disc	1	2